

SOFTWARE RODIN4D

RODIN4D

neo 2016 by Rodin4D

A single software package for all your forms

Rodin4D Neo is the heart of our global CAD/CAM solution.

Neo brings together all the functions CPO need: prostheses, orthoses, body jackets.

› Create your own tools

- Create your own rectification protocols and share them with your technicians

› Tool history

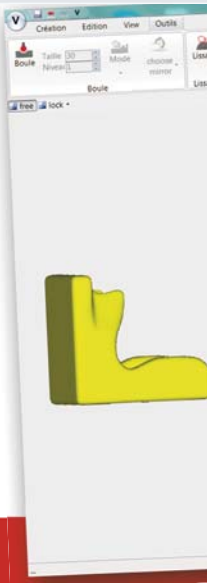
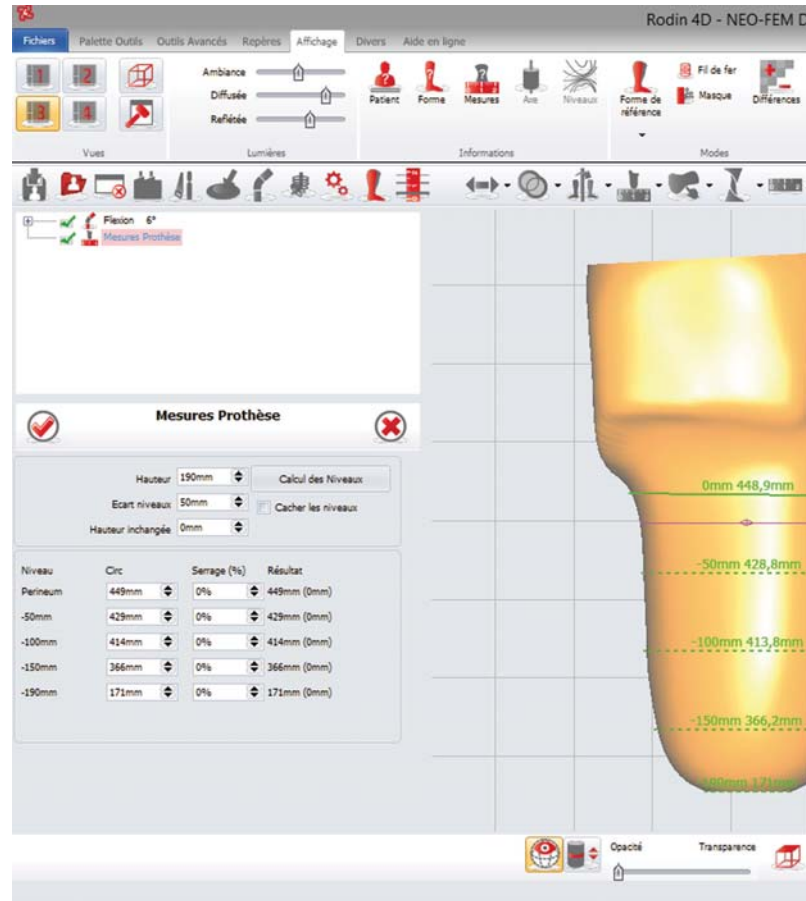
- Keep a history of all your changes

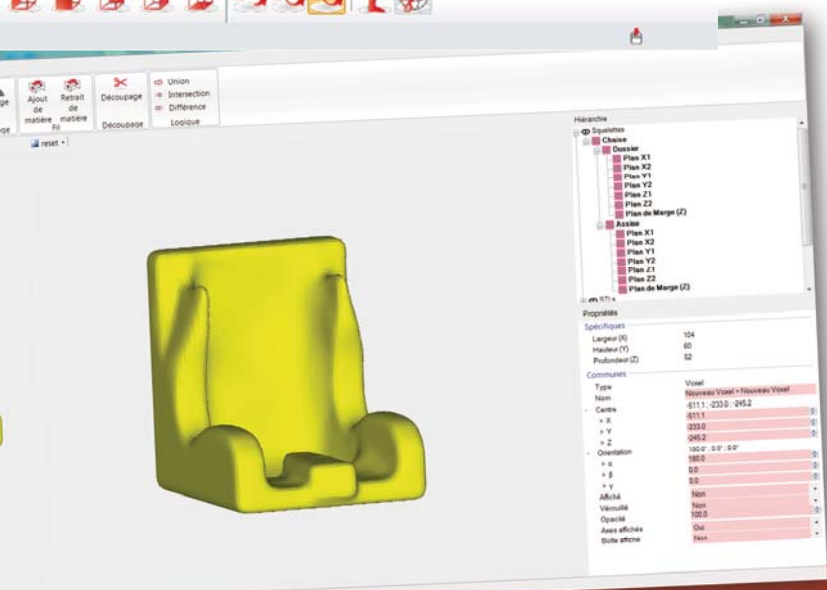
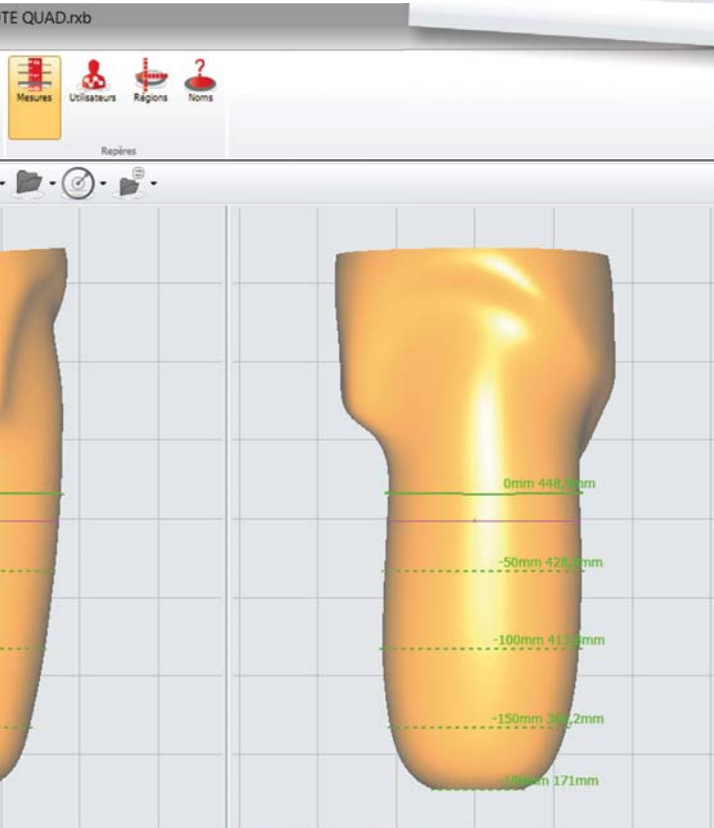
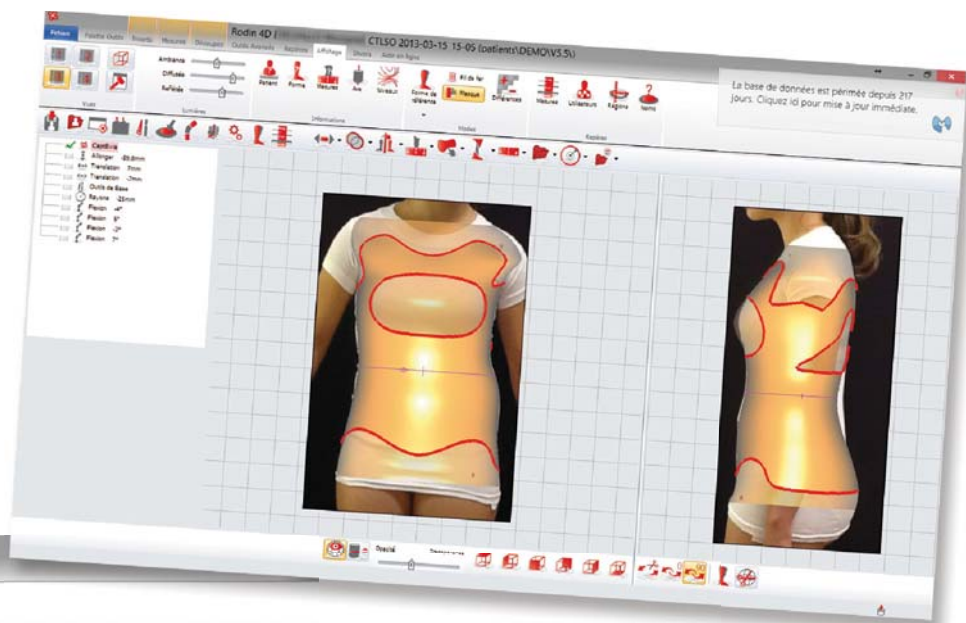
› Fast training

- Two days of training are enough to master the software
- Quickly master all functions
- Access to self-training videos
- Technical support

› Extensive functionality

- Import scanned forms (STL, AOP...)
- Libraries of pre-rectified forms
- Import photographs, CTscan, IRM or DICOM files
- Manage patients and scans, photographs and associated 3D forms
- Use professional tools to clean the 3D form
- Extensive choice of rectification tools (more than 25 different tools)
- History of all changes
- Import / export from and to the main industrial and orthopaedic formats
- Print reports of the work carried out
- Draw the trim lines and forms for machining





➤ Import CAPTEVIA

- Import photographs from the Captevia application for iPhone and iPad
- Detect the patient's contours
- Apply measurements to a 3D library of your choice

➤ Created by and for orthoprosthethists

- A complete professional solution
- Constantly evolving with regular releases of new versions

➤ CUBE by Rodin4D

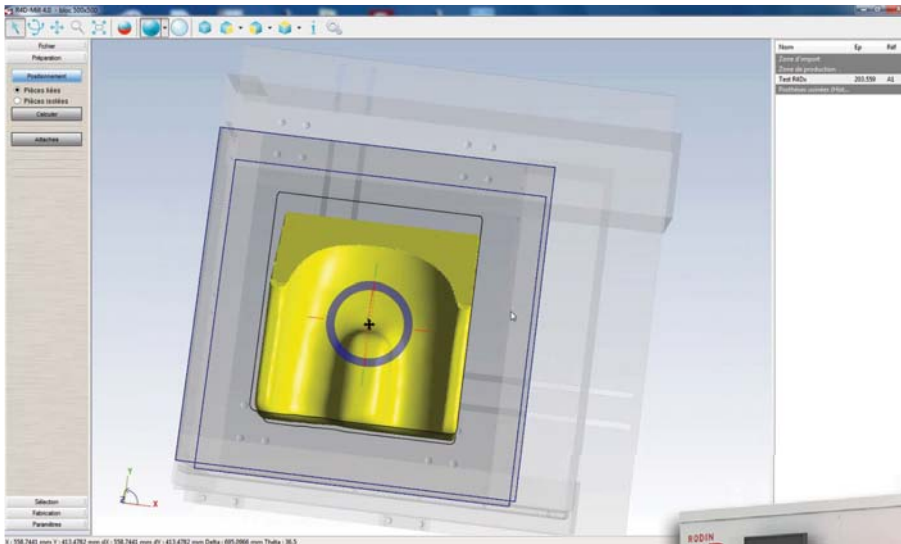
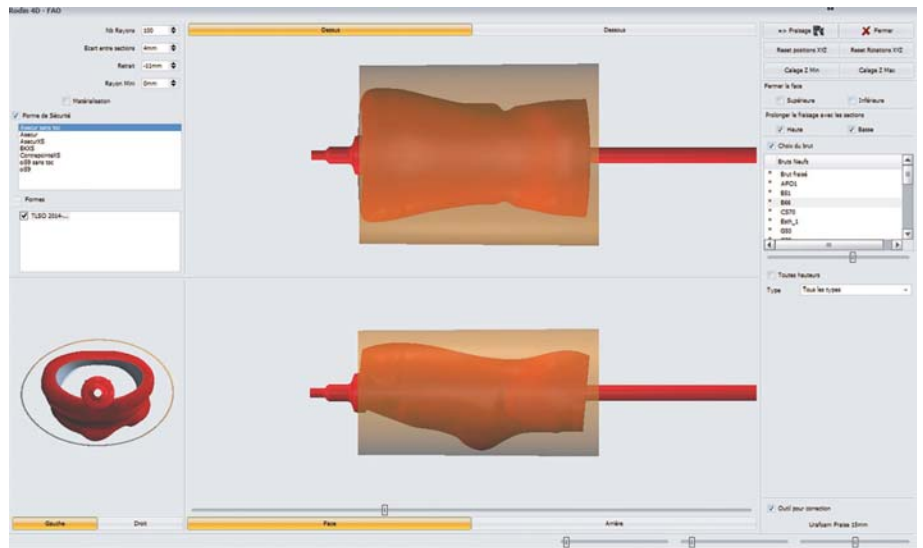
- The ideal complement to Rodin4D Neo
- Design freely with the power of Voxels (Pixels 3D)
- Model your negative and positive forms (seats, foam beds, verticalizers...)

CAM SOFTWARE

Computer Aided Manufacturing

➤ The Neo CAM module

- No machining knowledge is required to program your 3 axis machining operations
- Optimise your machining costs in one click, with the already machined blocks manager
- Export to various file formats (STL, PIM, G-code...)
- Manage the trim lines for your devices



➤ R4D Mill

- Specifically dedicated to our 4C and 4S milling machines for 4-axis machining
- No knowledge of machining strategy required
- Simply "drag and drop" your 3D files into the block of material to be machined to program your machining operations

